

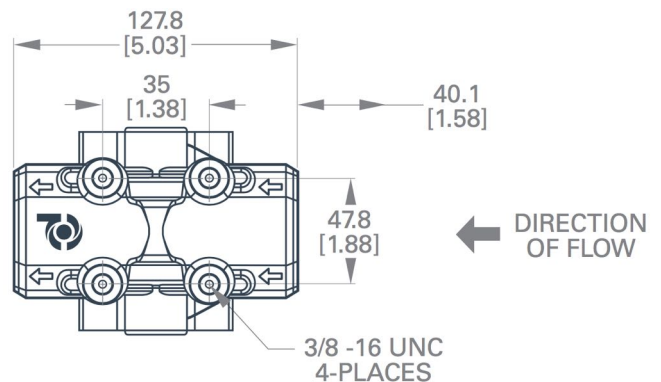
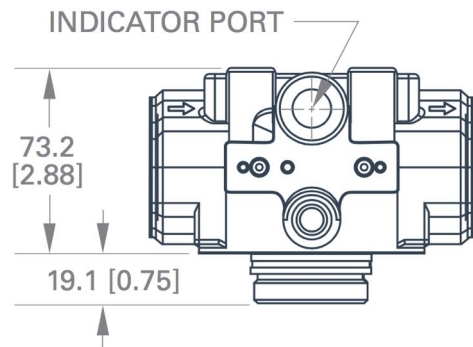
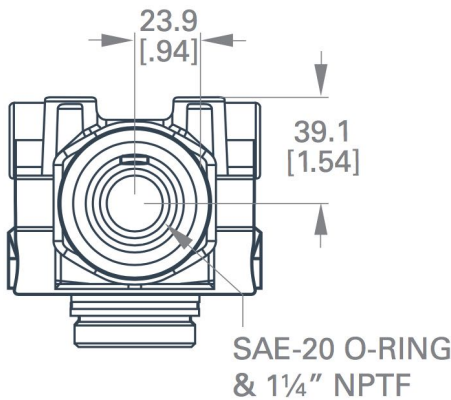
# PRODUCT DATA SHEET

# SINGLE FILTER ST HEAD SAE

Smart Filtration Filter Heads feature robust, aluminum construction with steel inserts to minimize metal-to-metal galling between the head and the filter, even when used with diesel fuel. Viton® seals are compatible with a wide range of fluids.



<b>Max Flow Rate:</b>	65 gpm / 246 lpm
<b>Working Pressure:</b>	350 psi / 24 bar
<b>Rated Static Burst:</b>	800 psi / 55 bar
<b>Mounting Connection:</b>	1 1/4" SAE-20 O-Ring
<b>Filter Quantity:</b>	1
<b>Manufacturer:</b>	Donaldson Company, Inc.
<b>Country of Origin:</b>	US (USA)
<b>Gross Weight in Kilograms:</b>	1.13



**Smart Filtration Solutions**  
7900 International Drive Suite 300,  
Bloomington, MN 55425, USA  
Phone: +1(952) 679-7741

**Smart Filtration Solutions**  
P.O.Box 430479 Dubai, UAE  
DMCC Business Centre  
Phone: +971 4 3201744

**Smart Filtration Solutions**  
P.O.Box 430479 Dubai, UAE  
Ras Al Khor Ind. Area # 2  
Phone: +971 4 3201744

# Understanding Liquid Filter Efficiency

This information is provided as an aid to understanding filter efficiency terminology based on current ISO, ANSI and NFPA test standards.

## What Is a Beta Ratio?

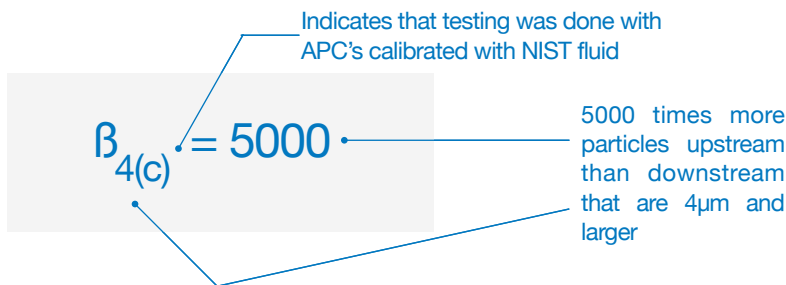
Beta ratio (symbolized by  $\beta$ ) is a formula used to calculate the filtration efficiency of a particular fluid filter using base data obtained from multi-pass testing.

In a multi-pass test, fluid is continuously injected with a uniform amount of contaminant (i.e., ISO medium test dust) then pumped through the filter unit being tested. Filter efficiency is determined by monitoring fluid contamination levels upstream and downstream of the test filter at specific times. An automatic particle counter is used to determine the contamination level. Through this process an upstream to downstream particle count ratio is developed, known as the beta ratio.

The formula used to calculate the beta ratio is:

$$\text{Beta ratio}_{(x)} = \frac{\text{particle count in upstream fluid}}{\text{particle count in downstream fluid}}$$

where  $(x)$  is a given particle size



## What is Efficiency?

The beta ratio is commonly used to calculate the filtration efficiency of a filter and can be converted into a percentage of efficiency at a given particle size.

The formula used to calculate efficiency is:

$$\text{Efficiency}_{(x)} = \frac{\beta - 1}{\beta}$$

where  $(x)$  is a given particle size

$$\beta_{4(c)} = 5000 \text{ is same as } 99.98\% \text{ @ } 4\mu\text{m}$$

$\beta 5000$  is 99.98% for particles  $4\mu\text{m}$  and greater

## How Big is a Micron?

Compare a micron size to these familiar particles.

Grain of table salt	100 $\mu\text{m}$
Human hair	80 $\mu\text{m}$
Lower limit of visibility	40 $\mu\text{m}$
White blood cell	25 $\mu\text{m}$
Talcum powder	10 $\mu\text{m}$
Red blood cell	8 $\mu\text{m}$
Bacteria	2 $\mu\text{m}$
Silt	<5 $\mu\text{m}$

Beta Ratio (at given particle size)	Efficiency (at the same particle size)
1.01	1.00%
1.1	9.10%
1.5	33.30%
2 (Nominal)	50.00%
5	80.00%
10	90.00%
20	95.00%
75 (Absolute)	98.70%
100	99.00%
200	99.50%
1000	99.90%
2000	99.95%
5000	99.98%

- Without Beta Ratio / Efficiency information, Micron rating alone is meaningless.
- Focus must be on Beta Ratio, rather than just Efficiency %, as we can see above, 98.70% & 99.98% might not sound too big of a difference but in Filtration World, that's a huge difference.